

Anti-spam activities in Japan

Kazu YAMAMOTO
Internet Initiative Japan Inc.
kazu@iij.ad.jp

Contents

- Cellular phone worlds and the net
- Spam categories
- Legal issues
- Roadmap to traceable e-mails
- World collaboration

Cellular phone worlds and the net

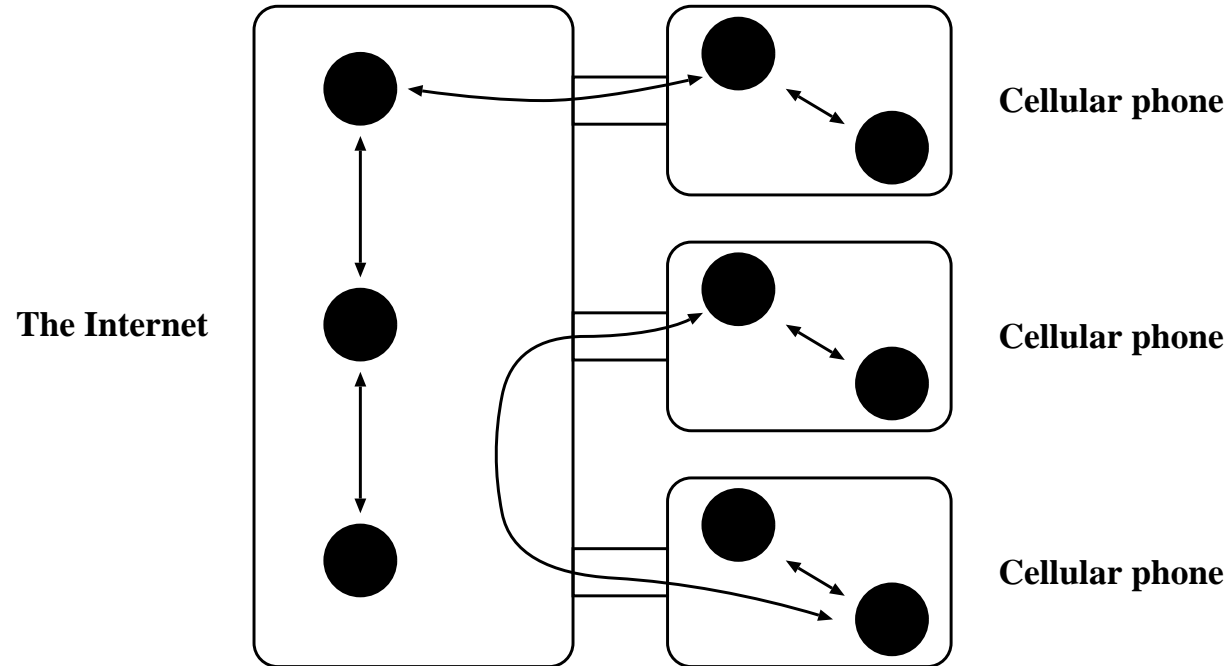
Cellular Phones

- Japan is a paradise of cellular phones
 - About 70% of Japanese have them
- They provide e-mail services
 - AU, DoCoMo, and Vodafone



Cellular Phone Networks

- E-mails are reachable from/to the net



Spams to Cellular Phones

- This is a big problem in Japan!
 - Fee is per packet basis
 - Receive spams and lose money!
- They developed white list of domain
 - It accepts all cellular phone messages by default
 - Users can enumerate domains to receive
- Spams from the net (e.g from zombies)
 - probably are not received thanks to the white list
 - though zombies are cost-less for spammers
- Spams from cellular phones
 - probably are received
 - though it costs much for spammers

Categories of Spam

Categories of Spam

- Unsolicited advertisement (未承諾広告)
- Trap to online dating (出会い系サイトへの誘導)
 - Starting with daily conversation
 - Continuing conversation leads the victim to an online dating system
 - He will result in paying much money
- Phishing
 - Japanese versions appeared

Trap to online dating

- Do you want to reply to this?

Subject: Excuse me.

From: Tomomi INOUE

You sent me a message, didn't you?

I thought this is a spam at first

but I realized that your address does not seem strange.

So, I'm replying to you.

Are you a guy with whom I had a chat on the net??

Subject: あの～

From: 井上知美

メールくれましたよね？

最初は迷惑メールかと思ってたんだけど

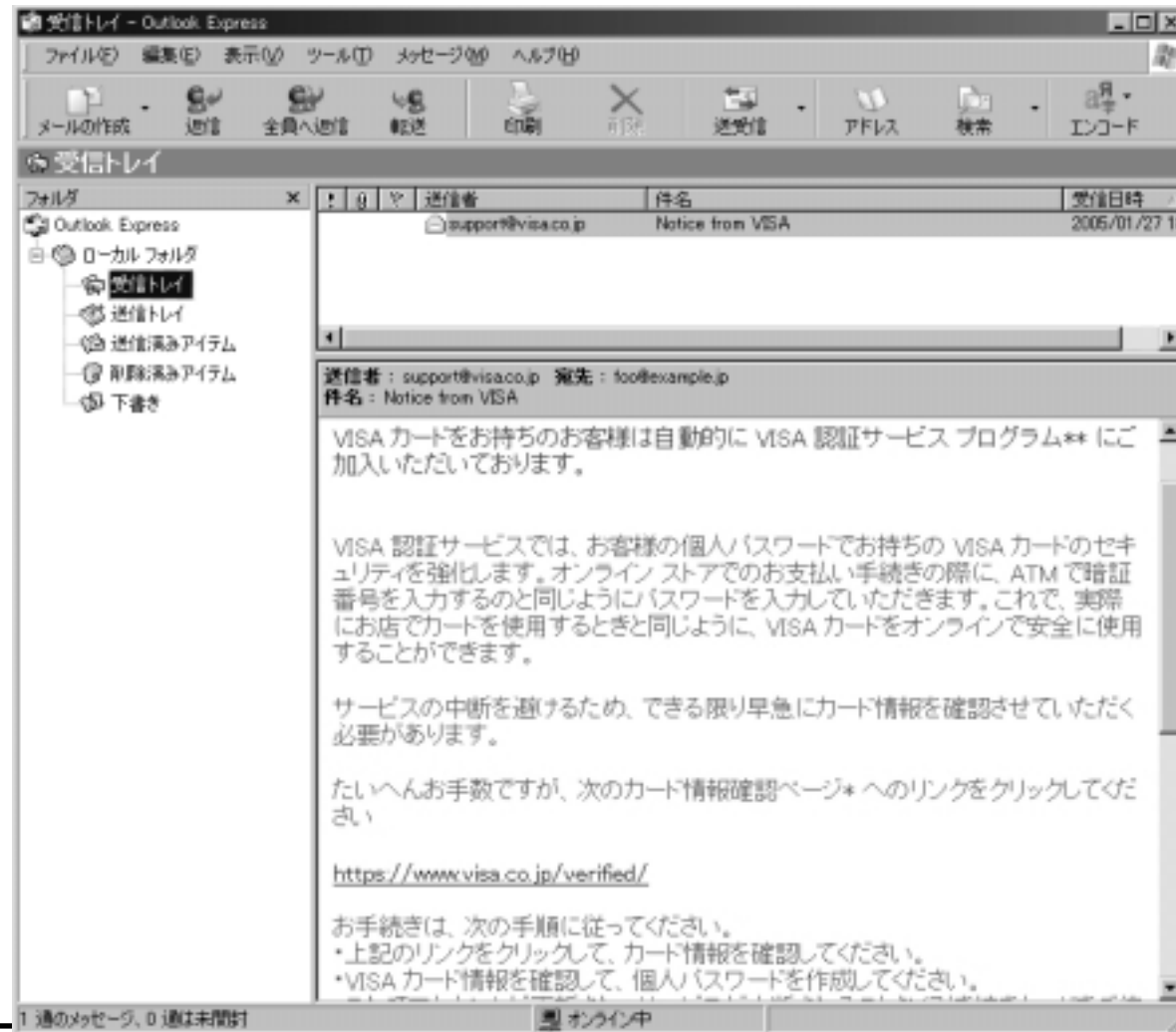
よく見たらそんな変なアドレスじゃないので

メール返してみたんですが、

以前どちらかのチャットか何かでお話したかたですか？？

- It is very difficult to filter this kind of spams!

Phishing Message



Phishing Site

「VISA認証サービス」 - Microsoft Internet Explorer

ファイル(F) 編集(E) 表示(V) お気に入り(A) ツール(T) ヘルプ(H)

戻る 進む 検索 お気に入り

アドレス http://82.231.95.161/verified/

https://www.visa.co.jp/verified/

日本 Japan

検索

安全なオンラインショッピング

VISA
VISAはあれび

安全なオンラインショッピング / ホーム

VISAカード会員の方へ VISA加盟店の方へ

ホーム

カードのお申し込み

お買なキャンペーン
<VISA e-mailclub>

安全なオンライン
ショッピング

プラチナカードの特典・
サービス

カードの紛失・盗難

カードご利用のヒント

プレス・センター

VISAについて

VISA TV コマーシャル

VISA法人カード

VISAのICカードへ
の取り組み

AIS について

このサイトは、高度な SSL (Secure Socket Layer) 暗号化技術を利用して
おり、個人情報が見覧、傍受または改ざんされることはありません。

VISA 認証サービス Web サイトで入力されたカード番号情報は、本サービス
を開始することを目的として、お客様の VISA カードの発行元金融機関および
処理機関に通知する場合を除き、使用または開示されることはありません。

以下のフォームに記入し、カードを登録してください。

カード番号: []-[]-[]-[]

カードの有効期限: [月] / [年]

カード認証番号 (CVV): []

VERIFIED
by VISA
VISA 認証サービス

ページが表示されました

インターネット

Legal issues

Laws

- The constitution of Japan (Item 2 of Article 21)
No censorship shall be maintained,
nor shall the secrecy of any means of
communication be violated
- 日本国憲法 (21条2項)
検閲は これをしてはならない
通信の秘密は、これを侵してはならない
- Telecommunications Business Law
Article 3: No communications being handled
by a telecommunications carrier shall be censored.
Article 4: The secrecy of communications being handled
by a telecommunications carrier shall not be violated
- 電気通信事業法
3条：電気通信事業者の取扱中に係る通信は、
検閲してはならない
4条：電気通信事業者の取扱中に係る通信の秘密は、
侵してはならない

Ambiguities of the Law

- Telecommunications Business Law is too old
 - based on telephone networks
 - What is censorship on the net?
 - What is the secrecy of communications on the net?
- Built-in content filtering without prior explicit consent of user is probably illegal
 - Pre-learned bayesian filter
 - URL filter
 - Signature filter
- ISP/ASPes provide filtering on sign-up basis
 - Users should enable it by themselves
 - e.g. ASAHI Net, IJ
- How about filtering based on source?
 - Black list of IP addresses
 - Classic SPF, Sender ID
 - DomainKeys

Spam Law

- The Law on Regulation of Transmission of Specified Electronic Mail (特定電子メール送信適正化法)
 - Enforced in 2002.7.1
- Obligation of advertisers
 - Subject: Unsolicited Advertisement (未承諾広告)
 - Body: name, address, e-mail address, e-mail address to opt out
- Prohibiting advertisement to random addresses
- Penalty
 - Fine of up to 500,000 JPY

Is Spam Law Effective?

- Procedure for penalty
 - End users report
 - MIC(Ministry of Internal Affairs and Communications)
sends a warning message to the advertiser
 - MIC = 総務省
 - If ignored, MIC issues an administrative order
- Only 3 instances of administrative order!
 - for 3 years
 - No instance of fine!

Revising Spam Law

- The Law should be revised after 3 years
- "Study group on a framework to handle spam" pointed out
 - Does not cover SMS(Short Message Service)
 - SMS is not based on SMTP
 - Does not prohibit harvesting
 - Messages which have empty body are not advertisement
 - Not practical
 - Police should take an action when an end user reports
- Public comments
 - e.g) We agree on the revision basically
 - e.g) But clarify the censorship in Telecommunications Business Law
 - e.g) But clarify the secrecy of communications

Police and Phisher

- Phishing 110 (フィッシング 110 番)
 - Police's special office against phishing
 - <http://www.npa.go.jp/cyber/policy/phishing/phishing110.htm>
- Police tries to arrest phishers when reported
 - as obstruction of business (業務妨害罪)
 - as violation of the copyright law (著作権法違反)
- We should report when find

Honey Pot by Government(1)

- 2005.2
 - <http://www.meti.go.jp/press/20050121003/20050121003.html>
- Capturing spams as end users
 - Analyzing spams and telling Ministries
 - Denkyo (日本データ通信協会)
 - <http://www.dekyo.or.jp/>
 - Japan Industrial Association (日本産業協会)
 - <http://www.nissankyo.or.jp/>
- Telling ISPes/banks
 - Ministry of Internal Affairs and Communications (総務省)
 - Telling abused e-mail addresses to ISPes
 - Ministry of Economy, Trade and Industry (経済産業省)
 - Telling abused accounts to banks
- ISPes could cancel the contract
to prevent the bad guy from sending spams
- Banks could close the accounts
to prevent the bad guy from withdrawing cash

Honey Pot by Government(2)

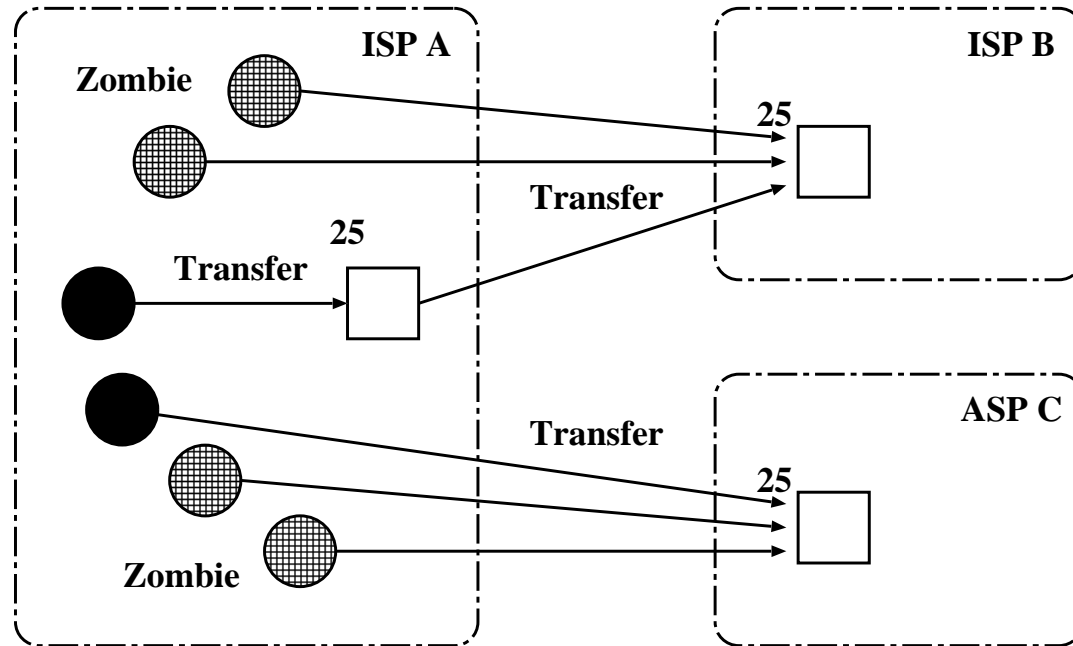
- ISPes welcome this project
 - Some ISPes hesitate to cancel contracts
 - e.g) When an ISP canceled the contract of a spammer, he started boycott of products made by its parent company. So, the parent company complains to the ISP.
 - If the government says it's OK, most Japanese think it's a right way to do
 - i.e) The parent company does not complain to the ISP.
- This project would be effective to
 - spams from cellular phones
 - spams from ISPes with correct addresses
- This project would not be effective to
 - spams from ISPes with faked addresses (e.g zombies)
- We need a framework to trace e-mails

Roadmap to traceable e-mails

Technical Roadmap

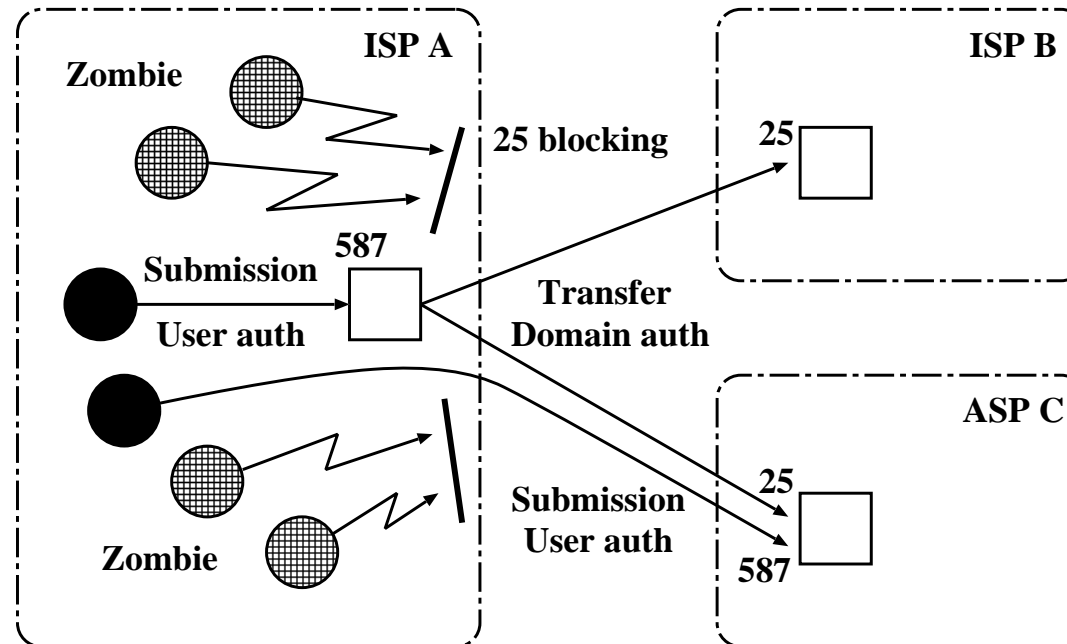
- Rough consensus among e-mail operators
 - Not official policies of ISP/ASPs but...
- Immediately
 - Providing the Submission port (587)
 - Mandating user authentication for Submission
- Near future
 - Outbound port 25 blocking from dynamic IP (if necessary)
 - We can make a black list against statically assigned IP addresses
 - Rate control of Submission
 - Domain authentication for mail transfer
 - Classic SPF, SenderID
 - DomainKeys
- Future
 - Accreditation services (if necessary)
 - Reputation services (if necessary)
 - Error mail verification

Current



- Massive spams from Zombies
- Phishing with faked e-mail addresses

Near Future



- Separation of transfer and Submission
- Blocking spams from zombies
- Submission with user authentication
- Transfer with domain authentication

Outbound Port 25 Blocking

- Plala Networks
 - To cellular phone networks only
 - (From dynamically assigned IP addresses)
 - 2005.1.31
 - http://www.plala.or.jp/access/living/releases/nr05_jan/0050127.html
- WAKWAK (NTT-ME)
 - To any destinations
 - From dynamically assigned IP addresses
 - 2005.3.1
 - <http://www.wakwak.com/info/news/2005/port25blocking0107.html>

World collaboration

Statistics

- Where do spams come from?
 - IJ counted "user unknown" messages
 - Resolving a country with its source IP address
 - 2004.12.20

total	374,093	
JP	99,370	(26.6%)
US	83,287	(22.3%)
KR	63,097	(16.9%)
CN	40,791	(10.9%)
FR	8,437	(2.3%)

- We should recognize JP, KR & CN generate many spams!
 - We need to collaborate to decrease spams
 - Otherwise, the entire AP region would be filtered out by other regions