

JPIX "Updates"

Japan Internet Exchange Co., Ltd.



Establishment of JPIX in July 1997

- ◆ Necessity of **commercial IX**
 - Joint venture invested by main ISPs in Japan

- ◆ To provide reliable interconnection Environment
 - **24H / 365days** monitoring and operation
 - Collocation service

- ◆ To provide value added services
 - Statistics for customer traffic
 - Route Server/Route Registry
 - NTP Server

Outline of JPIX (1)

- ◆ Date of Establishment: 10 July, 1997
- ◆ Headquarters: 19F, KDDI Otemachi Building, 1-8-1
Otemachi, Chiyoda-ku, Tokyo, Japan
- ◆ Capital: 298,000,000 Yen
- ◆ Shareholders:

KDDI

JENS

SCN

C&W IDC

NEC

Fujitsu

IRI

Cisco Systems

AsahiNet

OMP

TTNet

Japan Telecom Holdings

MIND

AboveNet Japan

RIIS

Outline of JPIX (2)

◆ CEO : Tetsuo Okimatsu (KDDI)

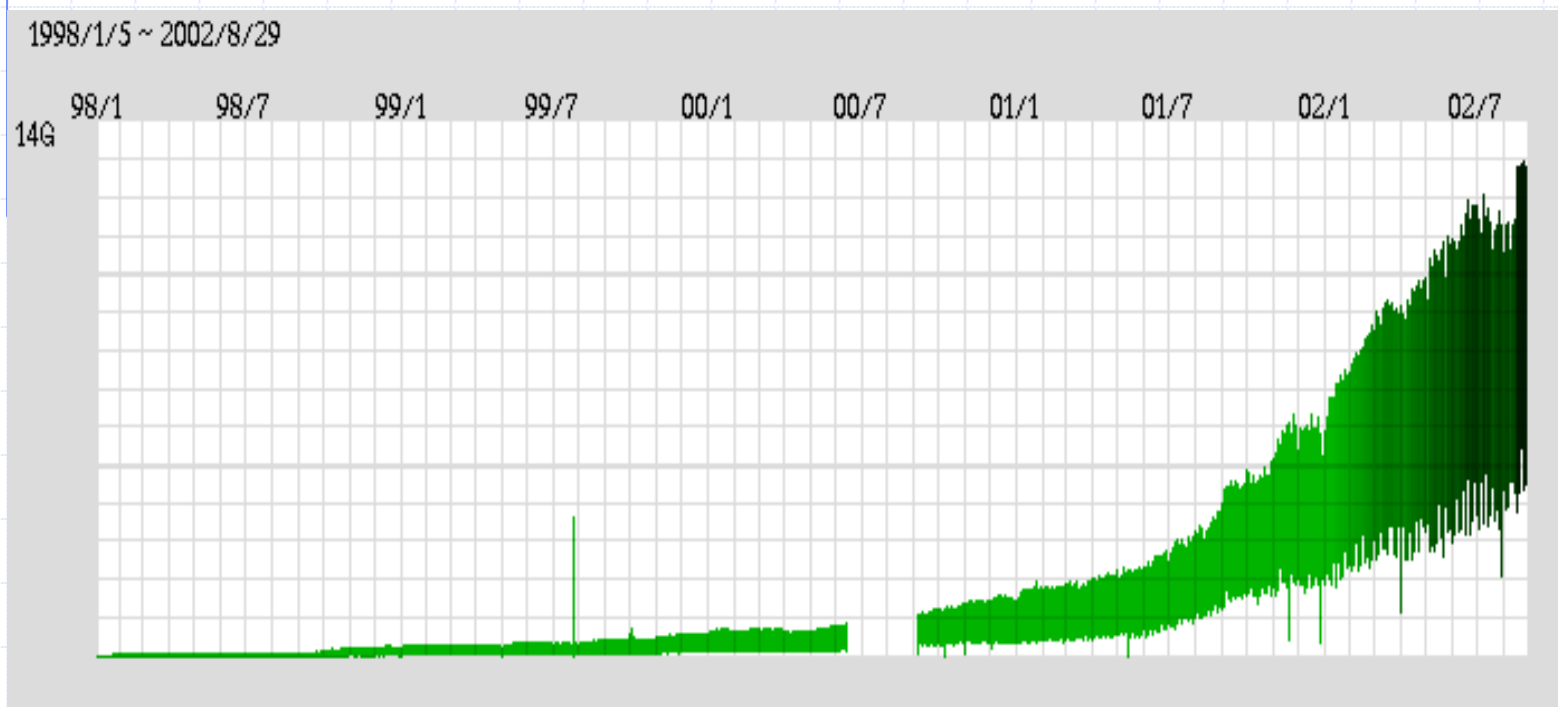
◆ Board of Director :

Mizuho Takai	(JENS)
Masao Kikuchi	(SCN)
Takeshi Miura	(C&W IDC)
Mitsuo Takahashi	(NEC)
Nobuo Sakata	(Fujitsu)
Mitsugu Kamada	(Cisco)
Dai Nishino	(IRI)
Toru Fushimi	(KDDI)

Traffic Volume

IX backplane Max/Min Traffic

August 30 ,2002



September, 2002

Services by JPIX

◆ IX ports

- Gigabit Ethernet port (1Gbps)
- Fast Ethernet port (100Mbps)
- Shared Port (20Mbps)

◆ Remote access

ATM, FE, GbE, Dark Fiber

◆ Collocation Service

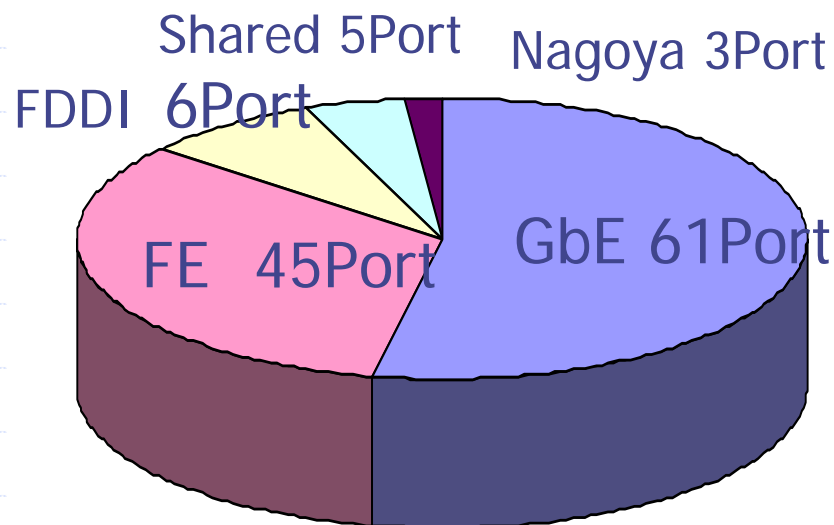
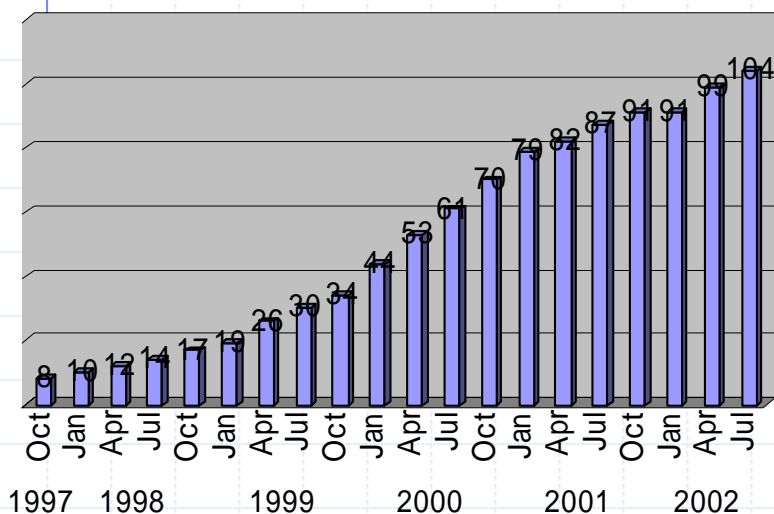
To provide a full rack for customer ISPs routers

◆ In-house cabling

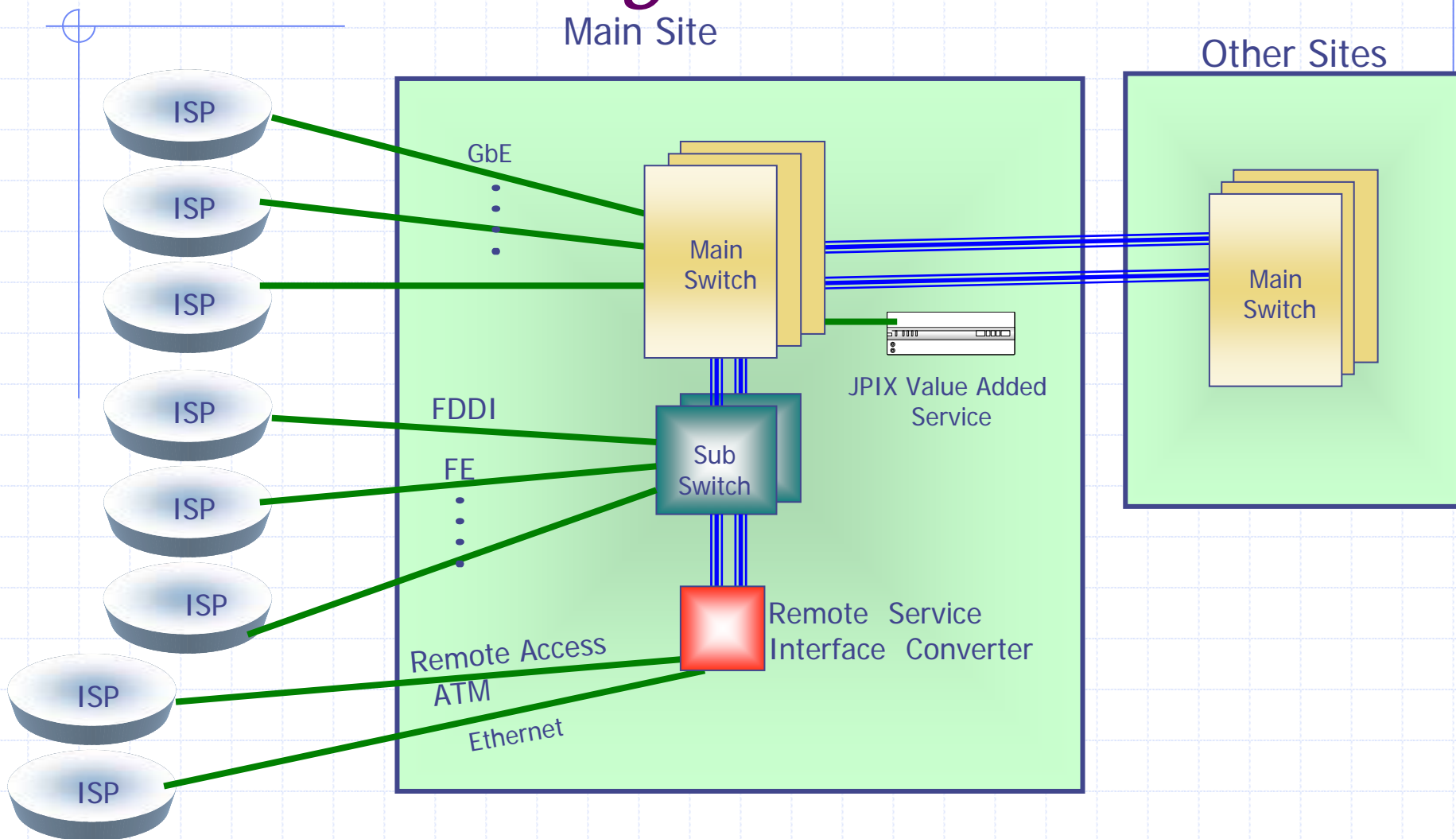
JPIX customers and port

(end of August. 2002)

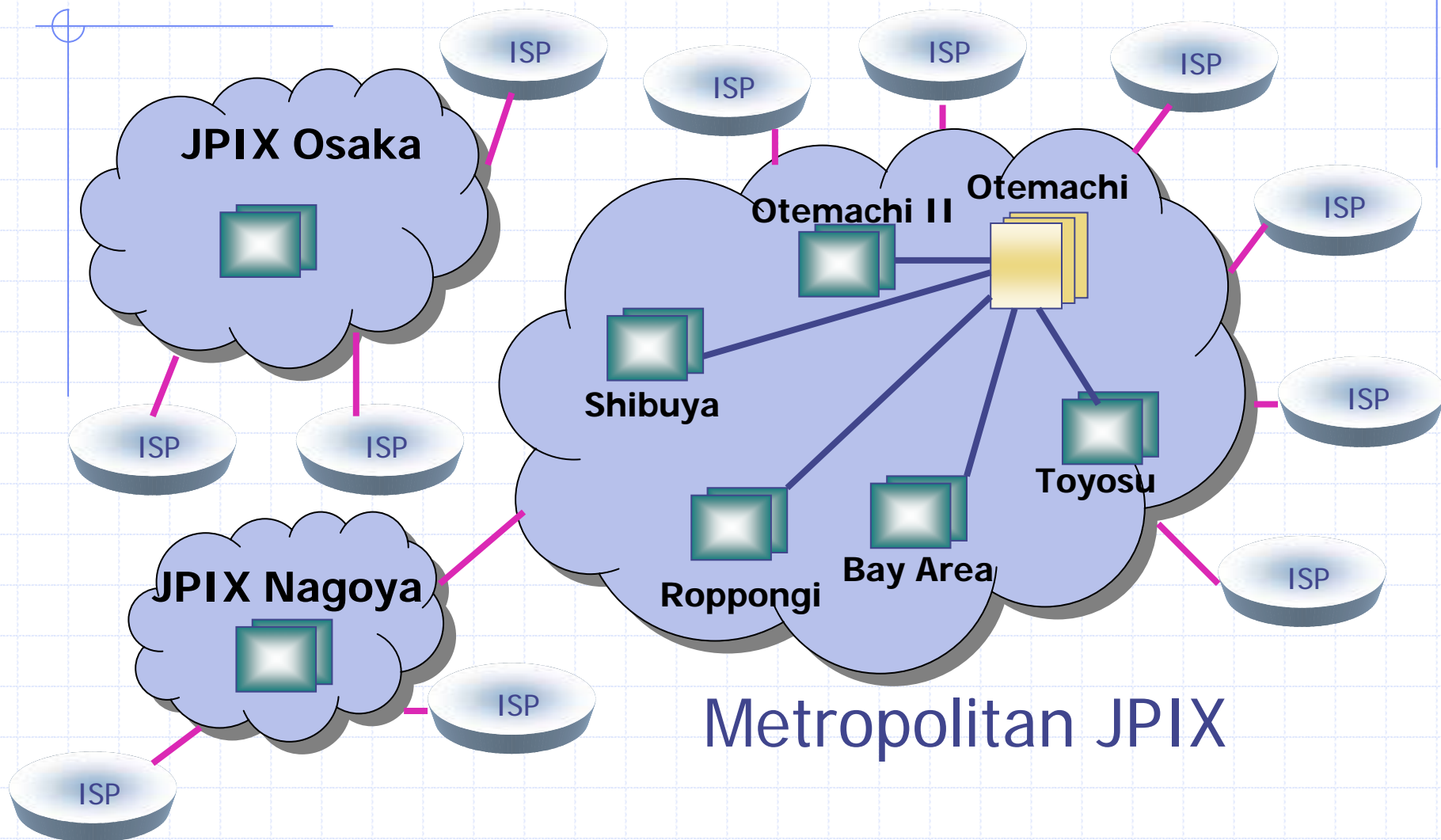
- ◆ No. of customer ISPs : 104
- ◆ No. of ports connected : 120



Network Configuration



Expansion of JPIX



September, 2002

Expansion of JPIX

◆ Metropolitan JPIX

- To install IX switches in metropolitan area as distributed IXs
- JPIX BayArea: from December, 2000
- JPIX Otemachi II: from November, 2001
- JPIX Roppongi: from February, 2002
- JPIX Toyosu: from May, 2002
- JPIX Shibuya: from July, 2002

◆ Regional JPIX

- To install a local IX switch and/or a circuit concentrator connected to Metropolitan JPIX
- JPIX Nagoya: from April, 2001
- JPIX Osaka: from April, 2002

On going activities(1)

IPv6-IX Experimental Service

◆ PLANS

- **Experimental service** period: from Jan, 2002 to Jan, 2003
- Commercial service: from Feb, 2003 (subject to change)

◆ Service Conditions

- Port Charge: **free**
- For JPIX customers only
- Port I/F: **Fast Ethernet**
- IPv6 IP address: assigned by APNIC
- SW location: KDDI Otemachi

On going activities(2)

Upgrade of switching capacity

- ◆ To handle very rapidly growing Broadband traffic
 - To introduce **10GbE Switch** to the customer in the near future

Thank you



hirayama@jpix.ad.jp
<http://www.jpix.ad.jp>